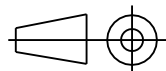
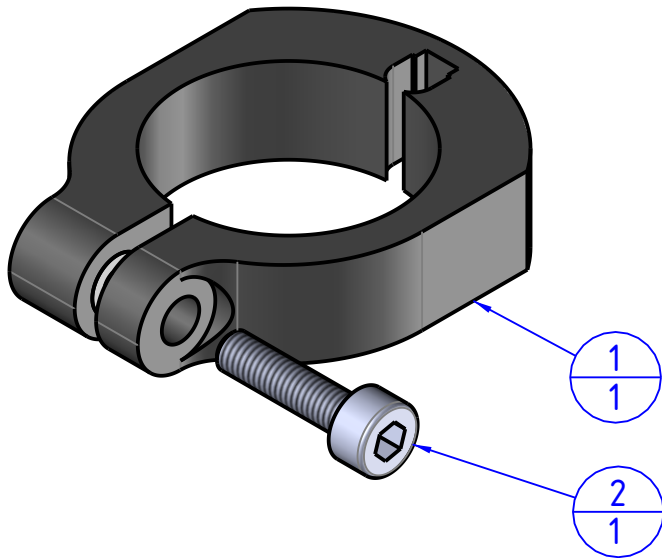
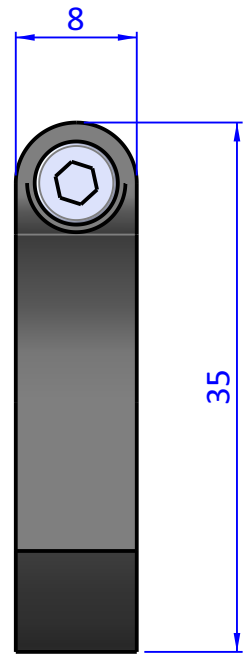
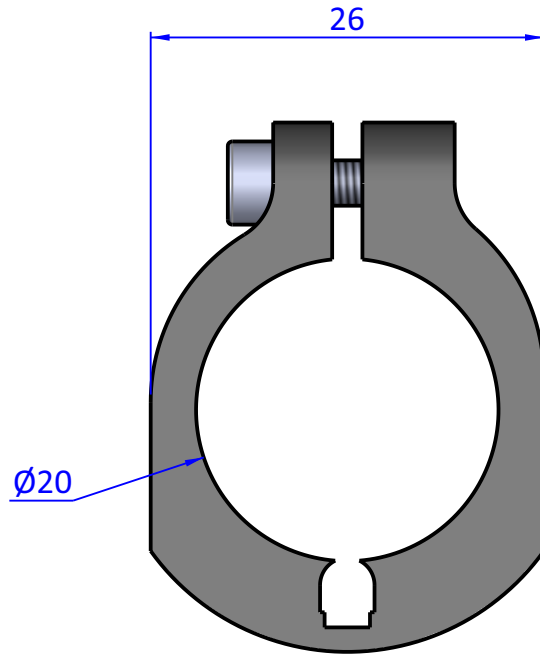


THE PROPERTY OF THE DRAWING IS ESTABLISHED BY LAW. IT IS FORBIDDEN TO PRODUCE OR SHOW IT TO THIRD PART. WITHOUT A WRITTEN AGREEMENT.

Item	Name	Q.ty
1	SML.20	1
2	V.TCE3x12	1



DESIGNED FROM		REVIEW
FPS Automation		A
DATE	WEIGHT	
30/03/2023	0,003kg	
CODE		
CA.SML.20		

Format	A4
UNI 936-76	

GENERAL TOLERANCE	DESCRIPTION
UNI - ISO 2768	CA.SML.20
CLASSE f	